

Double-seated valves for control and on-off operation



ARCA-double-seated valves are suitable for pretensions and versatile control applications.

For instance in power stations, on board of ships, in steel mills and general process control they have proven their reliability for years.

The classical double-seat construction is largely pressure balanced. The low force requirement and a short stroke allow the application of small, low-cost actuators.

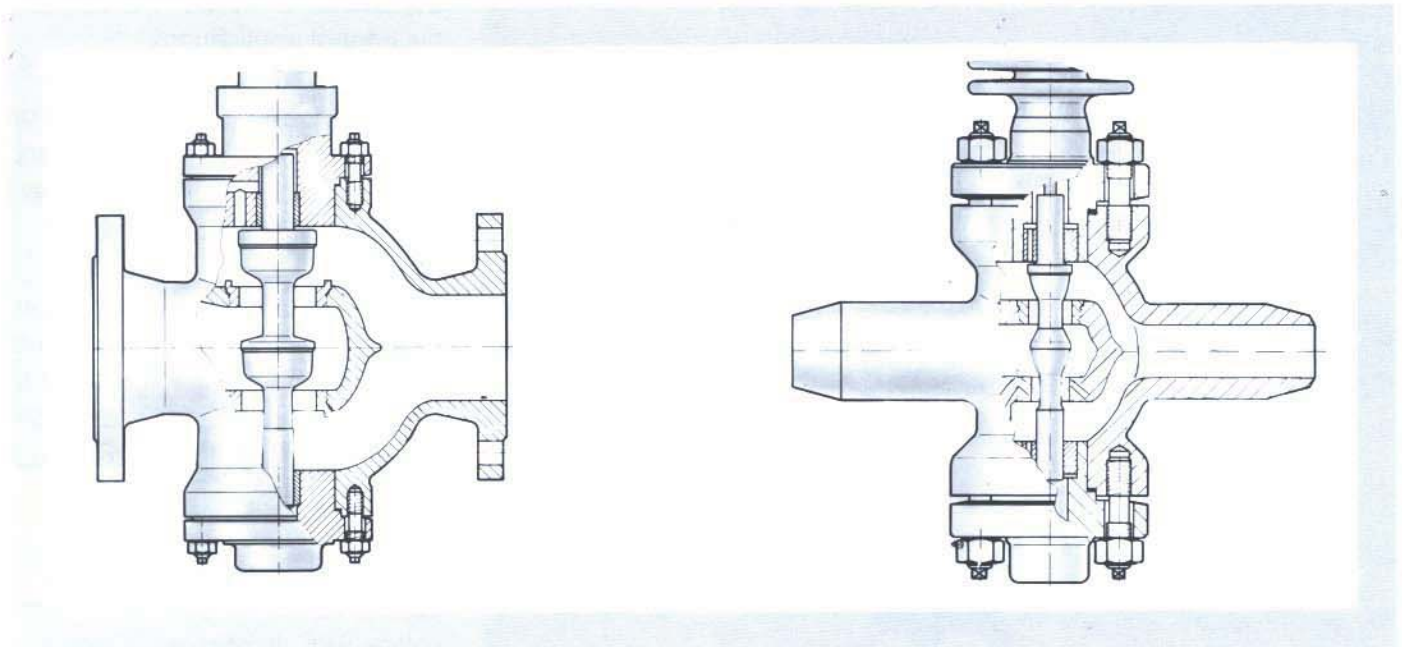
In the modular part system of ARCA control valves we can combine the valves with diaphragm, piston and electric actuators of pneumatic, hydraulic, or electric type.

All double-seated valves have a four-flange body. Body and trim are reversible. The double shaft-guiding grants a high and solid reliability.



Please tell us your operating data (medium, quantity, spec. weight, viscosity, pressures in front and behind valve, temperature). We'll calculate for you to choose the optimal valve.





Series:

Series 250: PN 10 - 40
DN 50 - 350

Series 270: PN 64
DN 40 - 300

Series 280: PN 100 - 160
DN 40 - 300

C_v -values: ($C_v = 1,17 K_v$)

Per nominal diameter 3 K_v -values are standard.
With DN 40 up to $K_v = 4$ in 5 steps. On/off plug only with
max. K_v -value of DN.

Characteristics:

According to VDI 2173. Linear or equal percentage.

Rangeability:

Linear plugs 50:1. Equal-percentage plugs 40:1.

Leakage:

In % of K_v -value. ARCA valves have generally a lower
leakage than required in VDI 2174.

Normal: < 0,25 %
Lapped-in: < 0,1 %
Soft sealing: < 0,001 %

Trim:

Robust parabolic plug with double shaft guiding. The
seats are screwed-in tight to the body.

Connections:

Flanges acc. to DIN and ANSI.
Welding ends possible.

Body materials:

Pressure-temperature rating acc. to DIN 2401.
Standard materials:

GG-20 cast iron for PN 10 - 16 up to 200° C
GS-C 25 cast steel for PN 16 - 250 up to 400° C
GS-17CrMo55 cast steel for PN 16 - 250 up to 550° C

Other materials (heat, cold, acid resisting) available.

Materials of plug and seat:

Normally 13% chrome steel with good wear resistance,
on request stainless steel, with stellite armoring, or with
soft sealings.

Stuffing box:

Graphite packing up to 500° C
special packings (teflon etc.) available.



V&A

www.valve.co.za

Johannesburg Tel : 011-397 2833
Fax : 011-397 4700
E-mail : sales.jhb@valve.co.za
Durban Tel : 031-579 2593
Fax : 031-579 2562
E-mail : sales@valve.co.za