

Primary characteristics

The characteristics of NAF-Navalsteam are

- All in-in one welded design - no leakage from body joints
- Spring-loaded "floating" stainless steel ball ensures that the valve seals even at low differential pressures
- Box packing of precompressed graphite (DN 15-50)
Stem sealing of o-rings in Kalrez® (DN 65-100)
- The valve can easily be fitted with an electric or pneumatic actuator



Applications

The NAF-Navalsteam ball valve is a shut-off valve primarily designed for steam, condensate, hot water, oil, gases and other media which do not attack the valve material.

Sealing class

According to SS-ISO 5208 (no visible leakage).

Connections

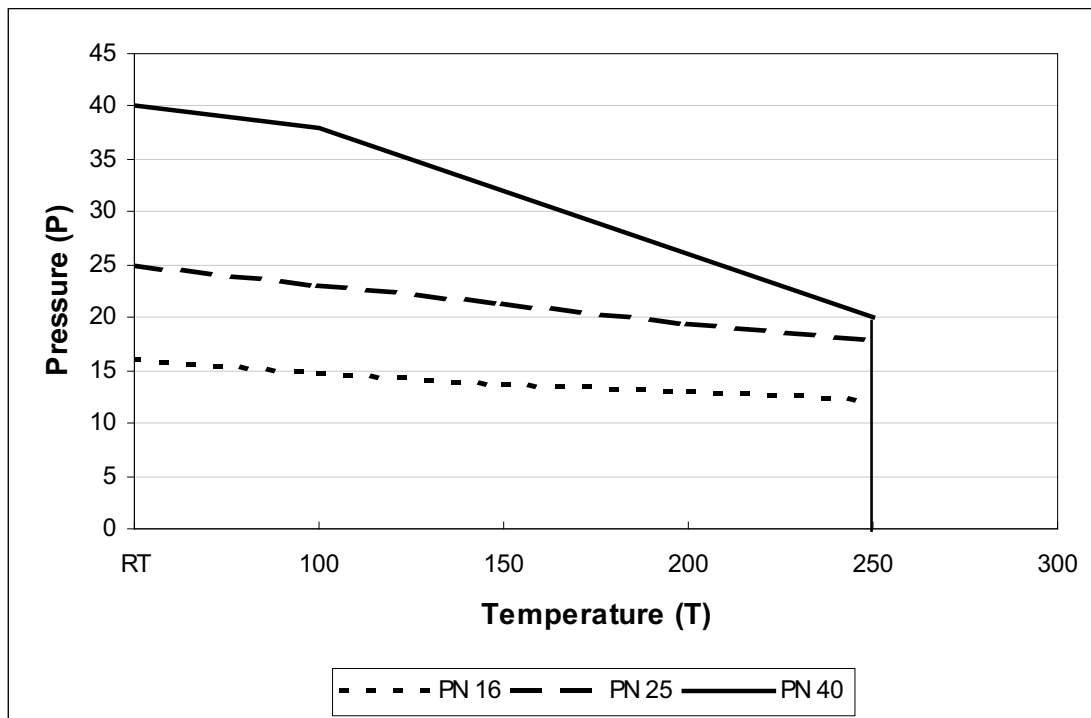
The ball valves can be supplied with butt weld ends, flanges or screwed ends, BSP-female.

Technical specification

Material:	Carbon steel
Range of sizes:	DN 15-100
Pressure classes:	PN 25-40
Face to face dim:	Acc. to page 2
End connections:	Butt weld ends, flanges and screwed ends (BSP-female)
Temperature range:	up to 250° C

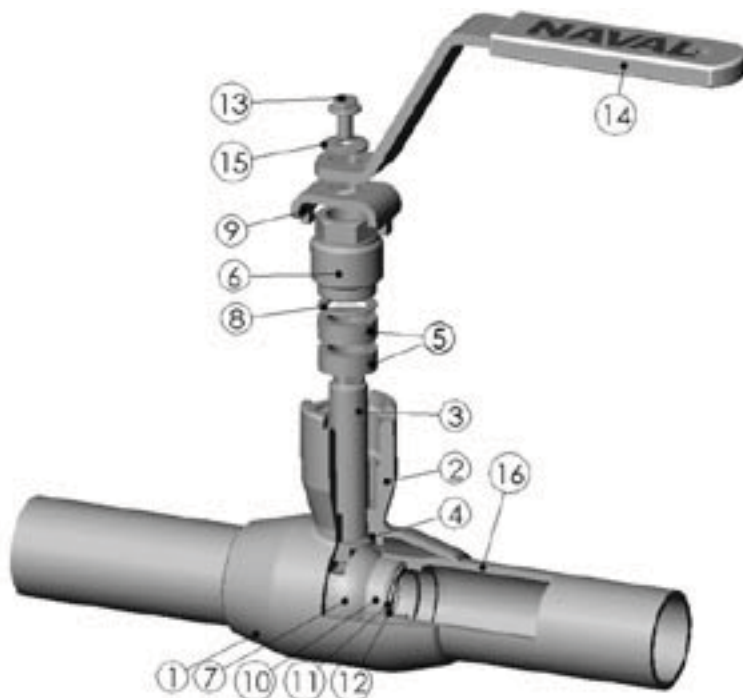
Working pressure and temperature

According to EN1092-1

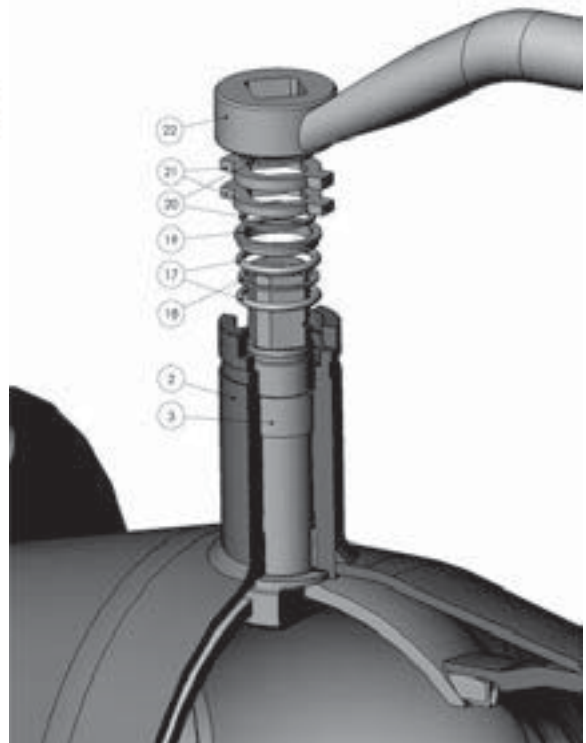


Material specification (Table 1)

Item	Part	Material
1	Body	P235GH
2	Valve neck	P355NH
3	Stem	Stainless steel, AISI 431
4	Washer	JM1-15
5	Graphite ring	Graphite
6	Clamp bushing	Stainless steel, AISI 303
7	Ball	Stainless steel, AISI 304
8	Guide bushing	JM1-15
9	Stop washer	Stainless steel, AISI 304
10	Seat ring	PTFE + 25%
11	Supporting washer	Stainless steel, AISI 316
12	Spring washer	C 67 DIN 17222
13	Hexagon screw	8,8 A2
14	Hand lever	Stainless steel, AISI 430
15	Contact washer	Stainless steel
16	Welding end	P235GH
17	O-ring	Kalrez 1050
18	Supporting washer	PTFE+C
19	Bushing	Stainless steel, AISI 303
20	Locking ring	
21	Stop washer	Stainless steel, AISI 430
22	Hand lever	Fe 52

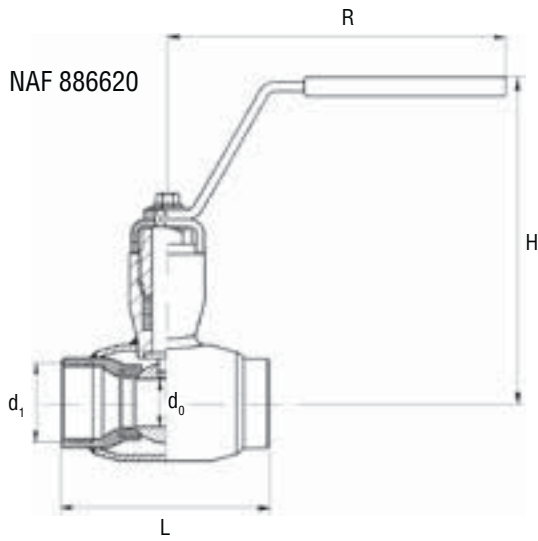


DN 15-50



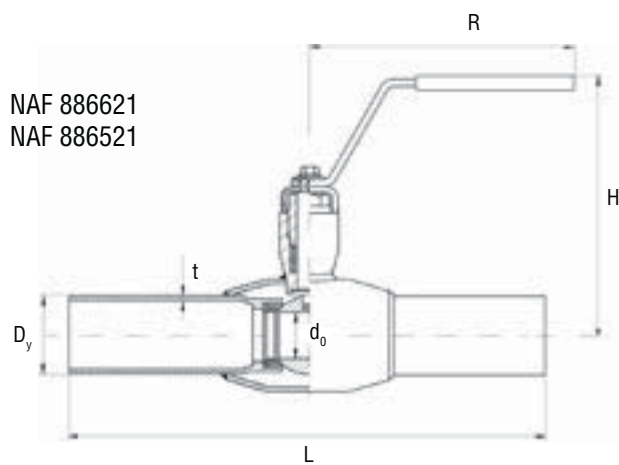
DN 65-100

Dimensions and mass



**PN 40
NAF 886620 (Table 2)**

DN	L	d0	d1	H	R	Mass kg
15	74	10	R 1/2	118	145	0,5
20	80	15	R 3/4	122	145	0,6
25	90	20	R1	140	145	0,9
32	105	25	R1 1/4	142	145	1,2
40	120	32	R1 1/2	145	280	2,1
50	145	40	R2	150	280	2,8



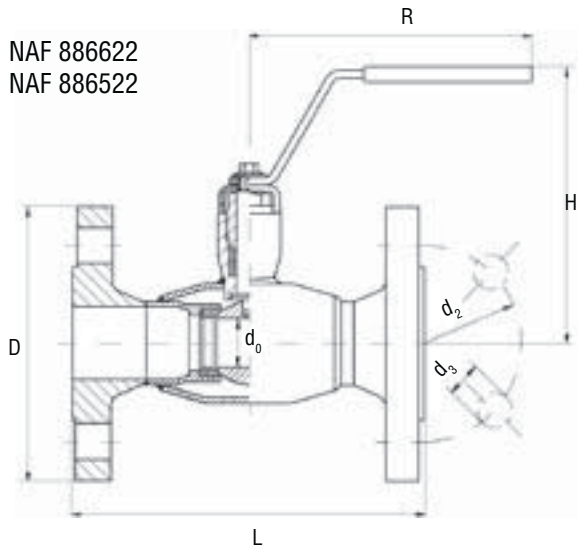
**PN 40
NAF 886621 (Table 3)**

DN	L	d0	Dy	H	R	t	Mass kg
15	230	10	21,3	118	145	2,0	0,6
20	230	15	26,9	122	145	2,3	0,8
25	230	20	33,7	140	145	2,8	1,1
32	260	25	42,4	142	145	2,6	1,5
40	260	32	48,3	145	280	2,6	2,5
50	300	40	60,3	150	280	2,9	3,4

**PN 25
NAF 886521 (Table 4)**

DN	L	d0	Dy	H	R	t	Mass kg
65	300	50	76,1	157	278	2,9	5,2
80	300	65	88,9	171	278	3,2	6,8
100	325	80	114,3	218	278	3,6	9,5

Dimensions and mass



PN 40 NAF 886622 (Table 5)

DN	L	d0	D	d2	d3	H	R	Mass kg
15	130	10	95	65	14	118	145	2
20	155	15	105	75	14	122	145	2,7
25	160	20	115	85	14	140	145	3,4
32	180	25	140	100	18	142	145	4,9
40	200	32	150	100	18	145	280	6,3
50	230	40	165	125	18	150	280	8,4

PN 25 NAF 886522 (Table 6)

DN	L	d0	D	d2	d3	H	R	Mass kg
65	270	50	185	145	18	158	278	11,7
80	280	65	200	160	18	171	278	15,3
100	300	80	235	190	22	218	278	21,5