

**Primary characteristics**

Remote mounting of base unit with electronics and pneumatics, separated from the unit only consisting of a potentiometer. This split or remote application is used where high temperatures or vibration are present and can result in negative influences on the control. It can also be used in places that are not easy to reach, to ensure an easier handling of the unit.

- Base unit with all standard features
- Remote unit with only a potentiometer
- Remote unit (potentiometer unit) can withstand temperatures up to 80°C (176°F).



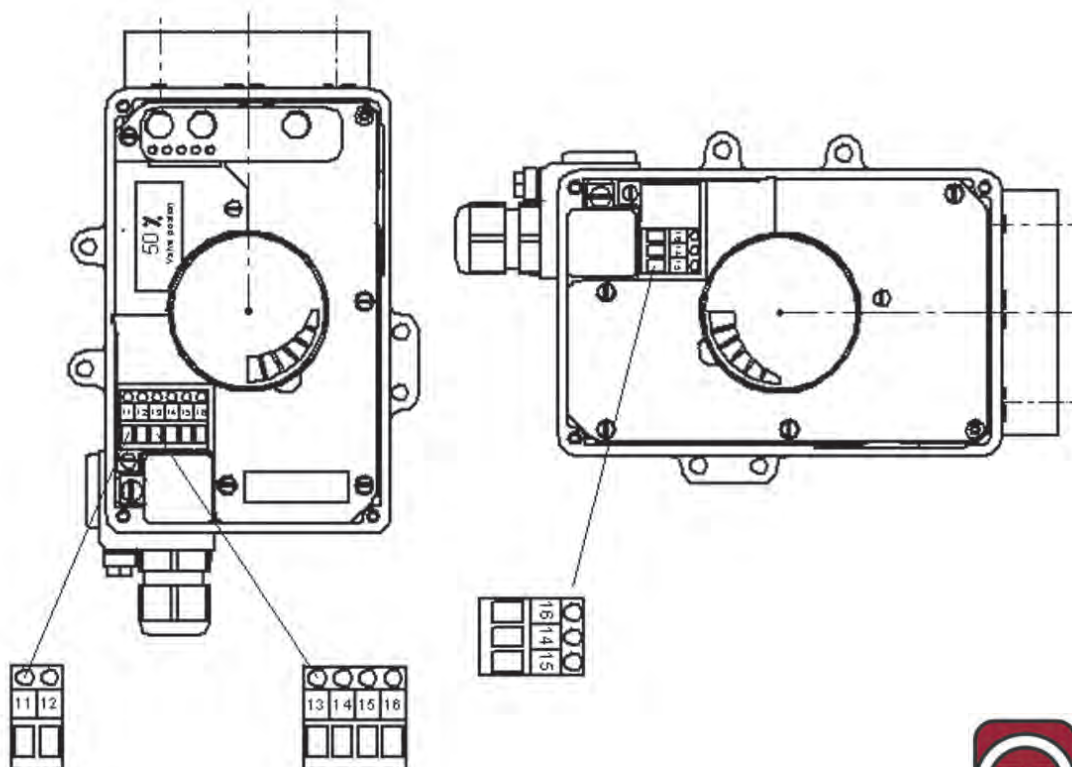
**Electrical connection**

**Electrical connection on the base unit:**  
370991-xxD... (with additional option: Potentiometer input "D")

Connections on NAF-LinkIT 370991-xxD...				
<b>Conduit</b>	A	B	C	D
<b>Line ID</b>	13	14	15	16
<b>Cable</b>	Not in use	Line 1	Line 2	Line 3

**Electrical connection on the remote unit:**  
370991-TX-H (Only with potentiometer)

Connections on NAF-LinkIT 370991-TX-H			
<b>Line ID</b>	16	14	15
<b>Cable</b>	Line 3	Line 1	Line 2



**Wiring requirements**

If the following requirements are observed, the set-up is insensitive to electrical disturbances caused by high electromagnetic fields, EMC and HF-radiation.

**Cable length:**

Max length 10 meter (32 ft)

**Cable specification:**

- The requirements for electrical connections according to NAF-LinkIT Fi41.85 must be followed.
- 3-wire twisted pair, shielded.
- The shield needs to be connected in both ends to the internal ground.
- The shield ends need to be kept very short when connecting to the ground.
- A HF cable gland is not required.

**Ambient temperature****Base unit:**

The requirements in the product datasheet for the ambient temperatures of the NAF LinkIT Fk 41.85 to be observed.

**Remote unit:**

From -40°C to 80°C.

For maximum ambient temperatures of up to 100°C (212°F) there is a special design of the potentiometer available. Contact NAF.

**Product code Base unit**

Code 370991- X X D X X XXX -XXXX  
1 2 3 4 5 6 7 8

4. Potentiometer input .....D  
For complete product code, see Fk 41.85.

**Product code Remote unit**

Code: 370991-TX-H

**V&A**[www.valve.co.za](http://www.valve.co.za)

Johannesburg Tel : 011-397 2833  
Fax : 011-397 4700  
E-mail : sales.jhb@valve.co.za  
Durban Tel : 031-579 2593  
Fax : 031-579 2562  
E-mail : sales@valve.co.za