

Stafsjö
SINCE 1666

Hydraulic cylinder



V&A

Hydraulic cylinder

Stafsjö's standard hydraulic cylinders are supplied by the Swedish manufacturer Ceson. It is a 200 bar rated cylinder supplied with stroke length, piston rod and ISO 5210 attachment customized for Stafsjö's knife gate valves.

The hydraulic cylinder can be supplied with Ø 32 mm up to 200 mm barrel with stroke lengths up to 1500 mm. It is coated in black RAL 9005 to fulfill the requirements of EN ISO 12944 class C3. Other colours and coating systems can be supplied on request.

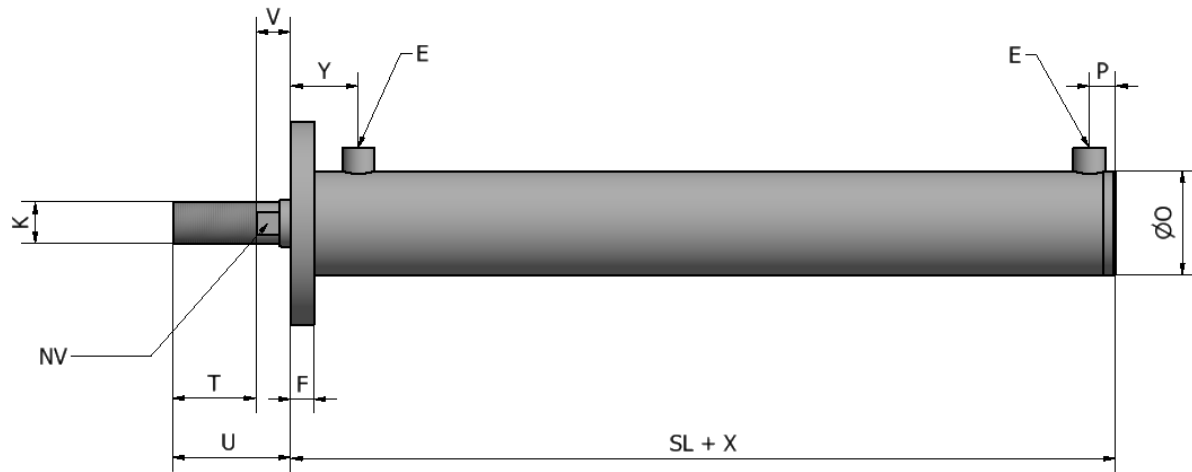
This hydraulic cylinder can operate in temperatures ranges from -20 °C to +80 °C. The mineral oil must comply with DIN 51524 (HL, HLP) and the fluid must also comply with cleanliness class according to ISO 4406 (c) Class 20/18/15. Filters can prevent faults and at the same time increases the life time of the cylinder. Special editions and materials on request.



Recommended hydraulic cylinder sizing at hydraulic working pressure of 100-120 bar¹⁾

DN	MV	WB11/WB	WB14/WB14E	HG	SLV	SLF	SLH	SLX
50	32	32	32	-	32	32	-	-
65	32	32	32	-	32	32	-	-
80	32	32	32	32	40	40	50	50
100	32	32	32	32	40	40	50	50
125	32	32	32	32	50	50	OR	OR
150	32	40	40	40	50	50	50	50
200	40	40	40	40	63	63	80	80
250	40	40	40	50	63	63	80	100
300	40	50	50	50	80	80	100	100
350	50	50	50	50	80	80	100	125
400	63	63	63	63	100	100	125	160
450	63	63	63	80	125	-	OR	OR
500	80	80	80	80	160	-	-	-
600	80	80	80	100	160	-	-	-
700	OR	OR	-	OR	OR	-	-	-
750	OR	OR	-	-	-	-	-	-
800	OR	OR	-	OR	OR	-	-	-
900	OR	OR	-	OR	OR	-	-	-
1000	OR	OR	-	OR	-	-	-	-
1200	OR	OR	-	OR	-	-	-	-

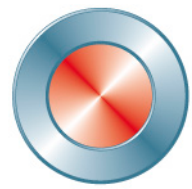
¹⁾ For higher or lower working pressures, please consult with Stafsjö for re-sizing of cylinder and valve components.



Main dimensions (mm)

Ø Bore	Ø Rod	K	T	V	U	NV	Y	P	X'	F	ØO	E	ISO 5210
32	18	M16x1,5	32	16	48	15	48	21	76	15	40	G1/4	F07
40	20	M20x1,5	54	24	78	17	48	21	78	20	50	G1/4	F10
50	25	M20x1,5	54	24	78	22	48	23	87	20	60	G3/8	F10
63	32	M30x1,5	72	30	102	28	68	23	107	20	73	G1/2	F10+F14
80	40	M36x2	72	30	102	36	68	23	118	20	90	G1/2	F10+F14
100	50	M36x2	72	30	102	45	87	28	118	20	120	G3/4	F10+F14
125	60	M36x2	72	30	102	50	87	28	121	20	140	G3/4	F10+F14
160	90	M36x2	72	30	102	50	95	28	129	20	180	G3/4	F10+F14

1) X + stroke length = Tube length (including flange)



Stafsjö
SINCE 1666

www.stafsjo.com

STAFSJÖ
50005E



**Valve
& Automation**

Total Valve & Control Solutions®

JOHANNESBURG

Tel: 011 397 2833

DURBAN

Tel: 031 579 2593

South Africa:

0861 103 103

E-mail: sales@valve.co.za

www.valve.co.za



SCAN ME