

# HP Large Bore CS & FS Valves

## Types

- Parallel Slide Gate Valves
- Swing Check Valves

## Sizes

DN80 to DN900

3" to 36"

## Pressure Class

PN250 to PN640

ASME 1500 to 4500

## End Connections

Butt-weld

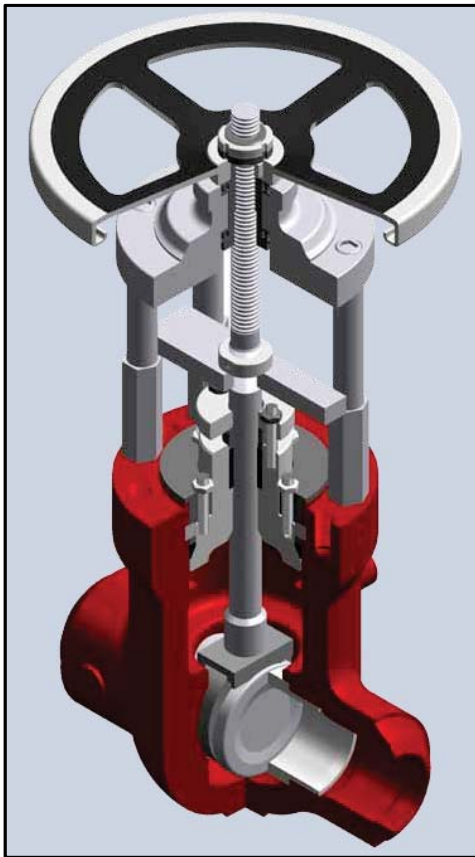




**Valve  
& Automation**  
Total Valve & Control Solutions®

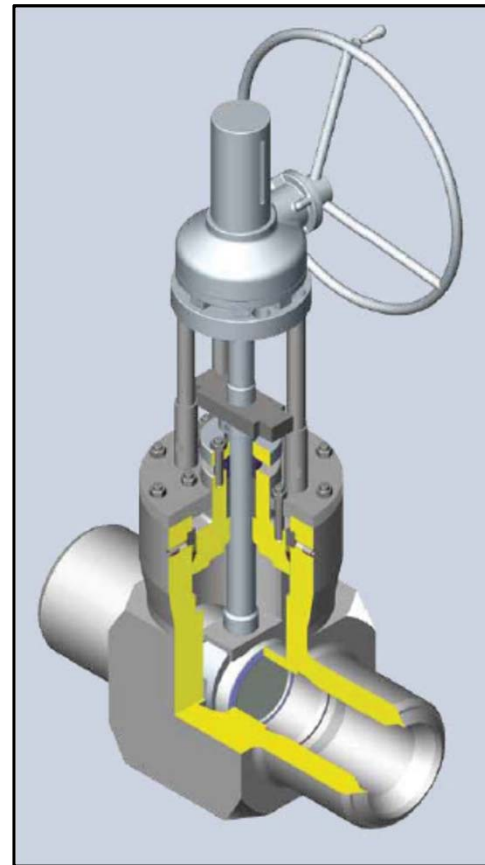
HP VALVES

# HP Parallel Slide Gate Valves



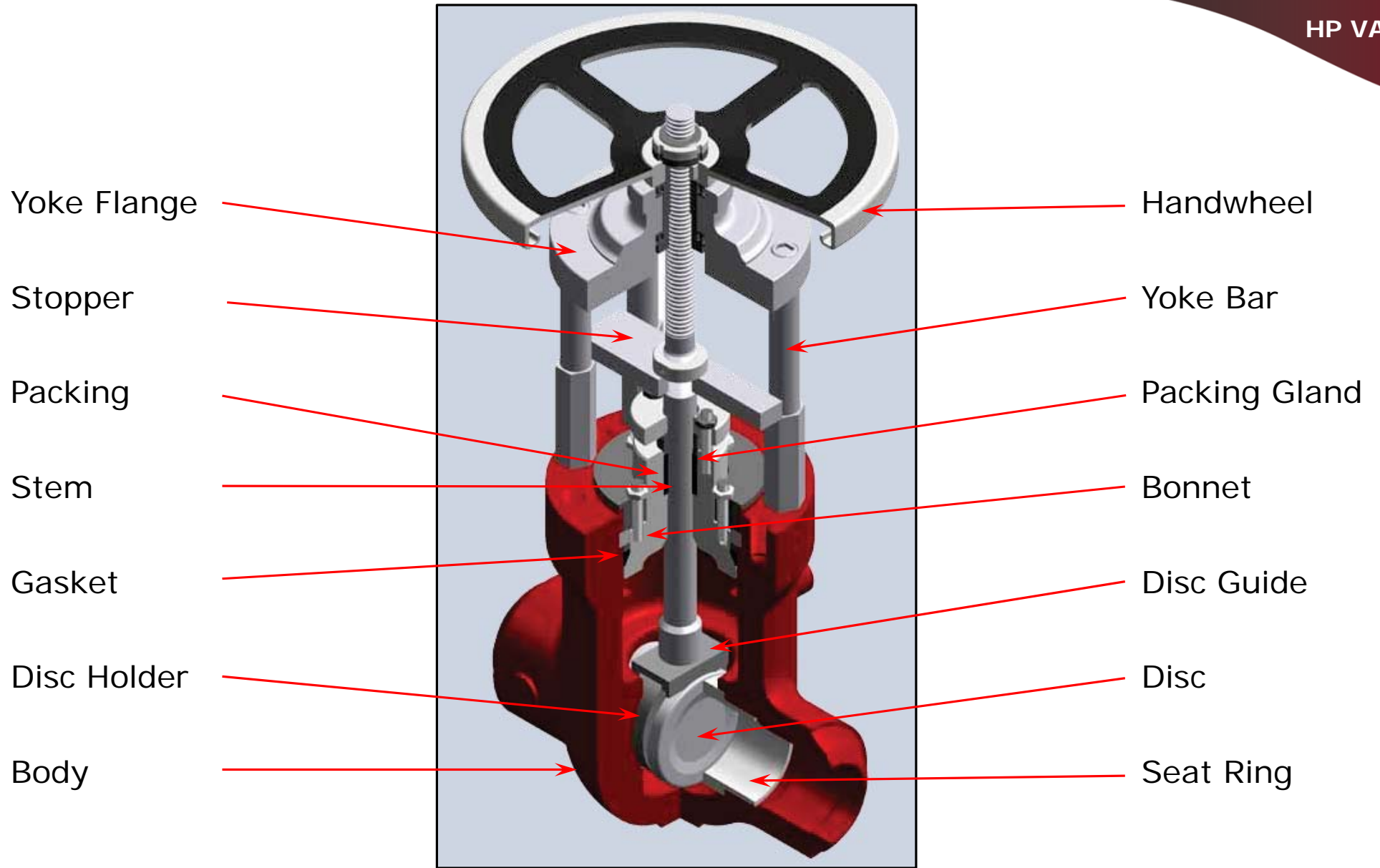
## Cast Steel

– Up to DN600 PN420



## Forged Steel

– Up to DN900 PN640



### Operating forces

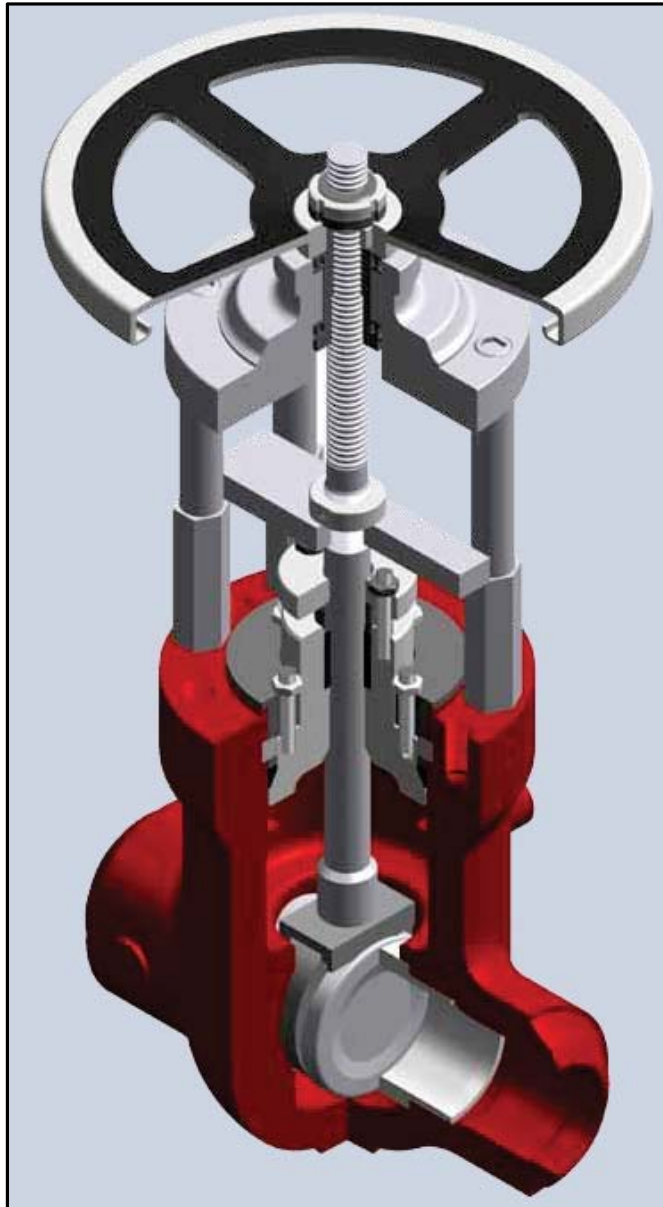
- Lower than wedge gate valves requiring smaller gearboxes and smaller actuators

### Bonnet types

- PN100 and higher as well as temp. above 450°C have pressure seal bonnets and, high density graphite gaskets.
- The higher the pressure, the better the sealing

### Stellited backseats

- Stellited backseats provide tight seal between valve stem and backseat in fully open position



### Weld overlays

- Different hardfacing on seats (Stellite #6) and discs (Stellite # 12), with a hardness differential of ~ 5 HRC, minimises galling and its cumulative effects on the sliding surfaces. This extends the service life of the valve

### Seats

- Are all seal welded inside the valve body



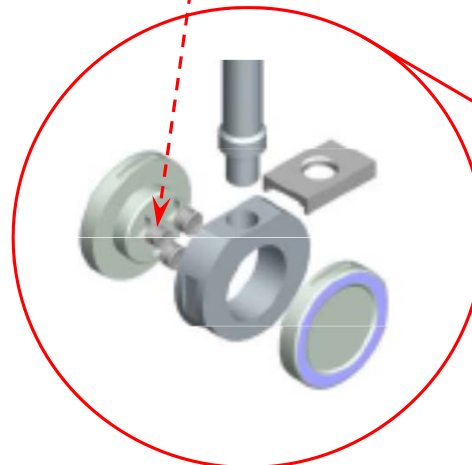
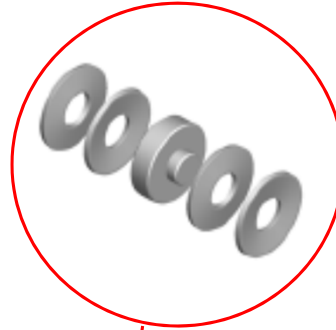
## Spring loaded pack

- Provides adequate sealing forces for independent discs and wide flat seats, ensuring better sealing and longer service life

## Sealing

- Since sealing is obtained by sliding motion, rather than through compression, the exact position of the disc is not critical for closing the valve. Consequently, there is no problem with differences in the thermal coefficients of different materials
- Centralised Inconel springs distribute the load uniformly across both seats compensating for any expansion

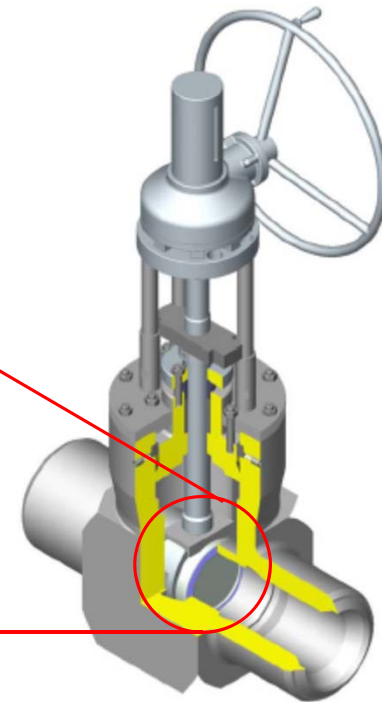
Spring Pack



Disc Assembly

## Thermal binding

- The Parallel Slide design eliminates sticking or thermal binding experienced with wedge gate valves



# Equalising & Bypass Systems



- Bypasses are used in steam service for warming up before the main line is opened and for balancing pressure where the lines are of limited volume.



# Electric Actuators & Controls



# HP Large Bore Check Valves



## Sizes

DN80 to DN600

## Pressure Class

Cast PN250

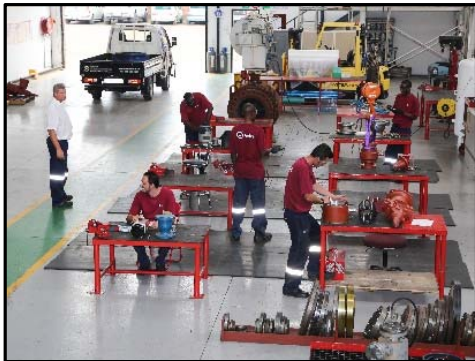
Forged PN250 to PN640

## End Connections

Butt-weld



# HP Repairs & Reconditioning



- Complete disassembly and cleaning / sandblasting of all valve components
- Replacement of original gaskets and packings
- Reconditioning of all sealing surfaces
- Replacement of wear parts (e. g. plug & seat) if required
- Deposit welding as required